



## Handling System for Rack Type Dishwasher Loading & Unloading Table, 600mm

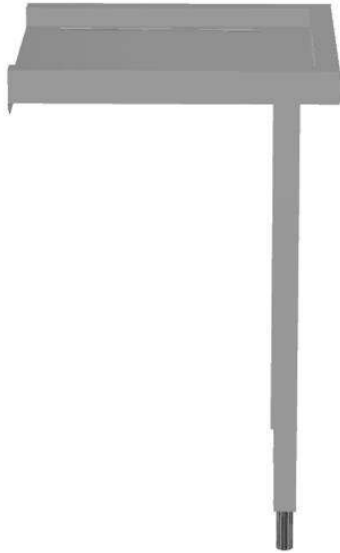
ITEM # \_\_\_\_\_

MODEL # \_\_\_\_\_

NAME # \_\_\_\_\_

SIS # \_\_\_\_\_

AIA # \_\_\_\_\_



865319 (BHRLU6)

Dishwasher table, loading/  
unloading, 600 mm

### Short Form Specification

Item No. \_\_\_\_\_

For rack type dishwashers. Constructed in 304 AISI stainless steel. N.2 square 40x40mm square legs on height-adjustable feet. Basket direction: from right to left and from left to right.

### Main Features

- Supplied knocked-down and easy to assemble.
- Designed to transport 500x500 mm dishwashing baskets.

### Construction

- 304 AISI stainless steel construction throughout.
- Stainless steel feet 50 mm adjustable in height to ensure that tables drain back into the dishwasher.
- Deep anti-drip profiles completely folded with lower edge for safe and easy cleaning.
- All surfaces smooth with polished finish.
- 40x40 mm square tubular legs in AISI 304 stainless steel.
- Optionally equipped with plain undershelves and end limit switch.
- To be secured to the dishwasher and fitted with one pair of legs at the other end.

### Optional Accessories

- Undershef for Dishwasher table, 600mm PNC 865350
- Basket guide for Dishwasher table with bowl 600 mm for Hood Type and Rack Type Dishwasher PNC 865370
- End limit switch for basic unloading tables PNC 865385
- Floor fastening kit for 2 square legs PNC 865386
- Removable bridge table, 800 mm PNC 865418
- Removable bridge table with hole, 800 mm PNC 865419
- Small splashback (to be aligned with the back of the Rack Type Dishwasher), 600 mm PNC 865422

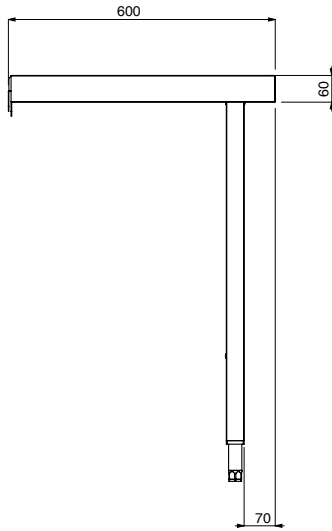
APPROVAL: \_\_\_\_\_



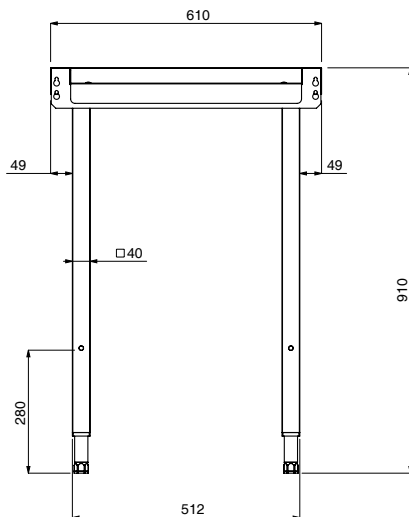
Experience the Excellence  
[www.electroluxprofessional.com](http://www.electroluxprofessional.com)



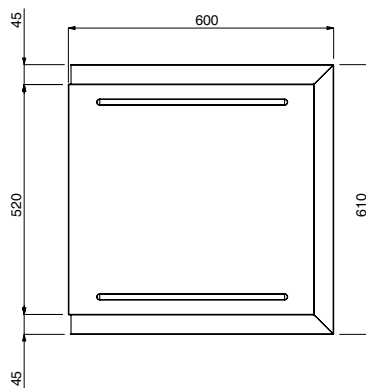
Front



Side



Top



## Key Information:

External dimensions, Width:	
865319 (BHRLU6)	600 mm
External dimensions, Depth:	600 mm
External dimensions, Height:	910 mm
Net weight:	6 kg